

Single Phase Inverter with HD-Wave Technology

for Australia

SE2500H, SE3000H, SE4000H,
SE5000H, SE6000H, SE8000H, SE10000H

INVERTERS



Optimised installation with HD-Wave technology

- Specifically designed to work with power optimisers
- Quick and easy inverter commissioning directly from a smartphone using the SolarEdge SetApp
- Record-breaking efficiency
- Extremely small, lightweight and easy to install
- High reliability
- Built-in module-level monitoring
- Outdoor and indoor installation
- Fixed voltage inverter for longer strings
- Advanced safety features - integrated arc fault protection
- Optional: Faster installations with built-in smart energy metering (1% accuracy)

/ Single Phase Inverter with HD-Wave Technology

for Australia

SE2500H, SE3000H, SE4000H,
SE5000H, SE6000H, SE8000H, SE10000H

	SE2500H	SE3000H	SE4000H	SE5000H	SE6000H	SE8000H	SE10000H	
APPLICABLE TO INVERTERS WITH PART NUMBER	SEXxxxH-AUXxxBxx4							
OUTPUT								
Rated AC Power Output	2500	3000	4000	5000	6000	8000	10000	VA
Maximum AC Power Output	2500	3000	4000	5000	6000	8000	10000	VA
AC Output Voltage (Nominal)	220/230							Vac
AC Output Voltage Range	184 - 264.5							Vac
AC Frequency (Nominal)	50/60 ± 5							Hz
Maximum Continuous Output Current	11.5	14	18.5	23	27.5	36.5	45.5	A
Total Harmonic Distortion (THD)	< 3							%
Power Factor	1, adjustable -0.8 to 0.8							
Utility Monitoring, Islanding Protection, Configurable Power Factor, Country Configurable Thresholds	Yes							
INPUT								
Maximum DC Power	3875	4650	6200	7750	9300	12400	15500	W
Transformer-less, Ungrounded	Yes							
Maximum Input Voltage	480							Vdc
Nominal DC Input Voltage	380					400		Vdc
Maximum Input Current	7.5	9	11.5	13.5	16.5	20.5	25.5	Adc
Reverse-Polarity Protection	Yes							
Ground-Fault Isolation Detection	600kΩ sensitivity per unit							
Maximum Inverter Efficiency	99.2							%
European Weighted Efficiency	98.3	98.8		99				%
Nighttime Power Consumption	< 2.5							W
ADDITIONAL FEATURES								
Supported Communication Interfaces	RS485, Ethernet, ZigBee for Smart Energy (optional) ⁽¹⁾ , Wi-Fi (optional)							
Smart Energy Management ⁽²⁾	Export limitation							
Import/Export and Consumption Metering	Optional ⁽³⁾							
Arc Fault Protection	Integrated, user configurable (according to UL1699B)							
Inverter Commissioning	With the SetApp mobile application using built-in Wi-Fi Access-Point for local connection							
STANDARD COMPLIANCE								
Safety	IEC62109, AS/NZS3100							
Grid Connection Standards	AS/NZS4777:2015							
Emissions	IEC61000-6-2, IEC61000-6-3, IEC61000-3-11, IEC61000-3-12, FCC Part 15 Class B							
INSTALLATION SPECIFICATIONS								
AC Output Conduit Size / Wire Cross Section	25mm maximum / 1-13 mm ²							
DC Input Conduit Size / # of Strings / Wire Cross Section	25mm maximum / 1-2 strings / 1-13 mm ²					25mm maximum / 1-3 strings / 1-13 mm ²		
Dimensions with Safety Switch (HxWxD)	450 x 370 x 174					540 x 370 x 185		mm
Weight with Safety Switch	10	11.4		11.9		17.6		kg
Noise	< 25					< 50		dBA
Cooling	Natural convection							
Operating Temperature Range	-40 to +60 ⁽⁴⁾							°C
Protection Rating	IP65 - outdoor and indoor							

(1) For more information refer to: <https://www.solaredge.com/sites/default/files/se-zigbee-plug-in-wireless-communication-for-setapp-datasheet-au.pdf>

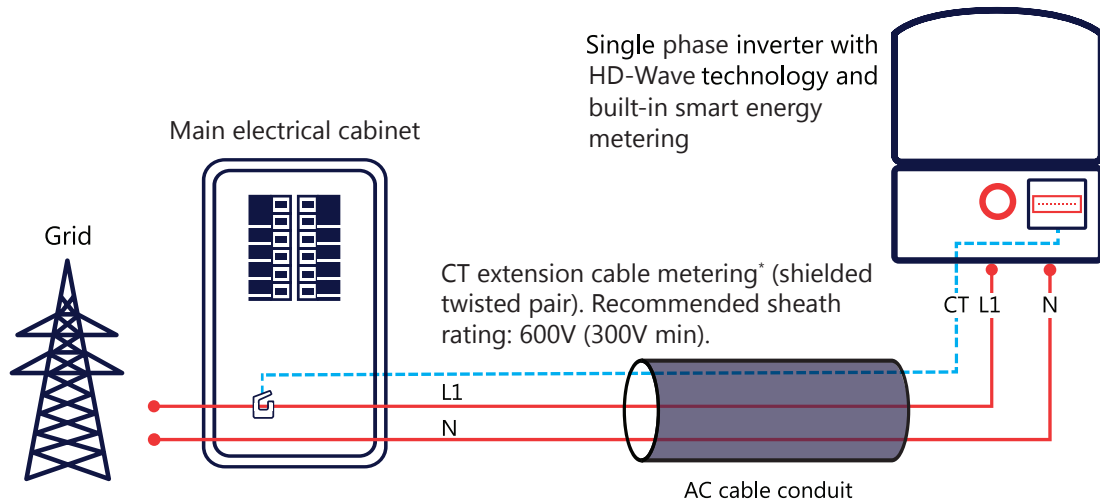
(2) For export limitation, the optional export meter is required. This built-in meter can also be used for additional home energy management capabilities, if needed.

(3) Inverter with built-in meter P/N: SExxxH-AU000Bx4. For smart energy metering, current transformers should be ordered separately.

(4) Full power up to at least 50°C. For power de-rating information refer to: <https://www.solaredge.com/sites/default/files/se-temperature-derating-note.pdf>

/ Enabling Smart Energy Metering

By simply wiring current transformers from the main electrical cabinet to the inverter, homeowners will gain full insight into their household energy usage, helping them to avoid high electricity bills



* One CT for import/export or consumption metering